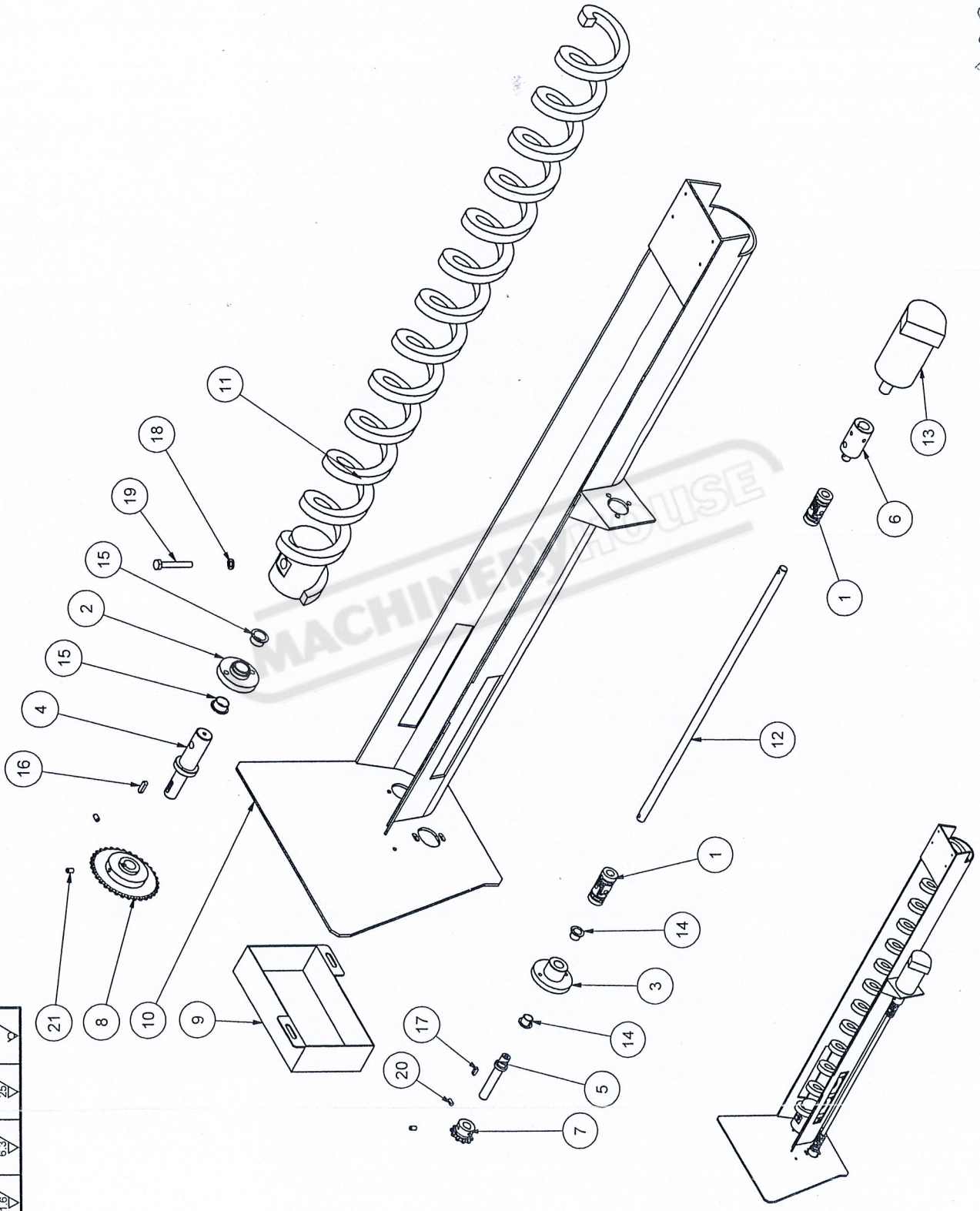


A0230001

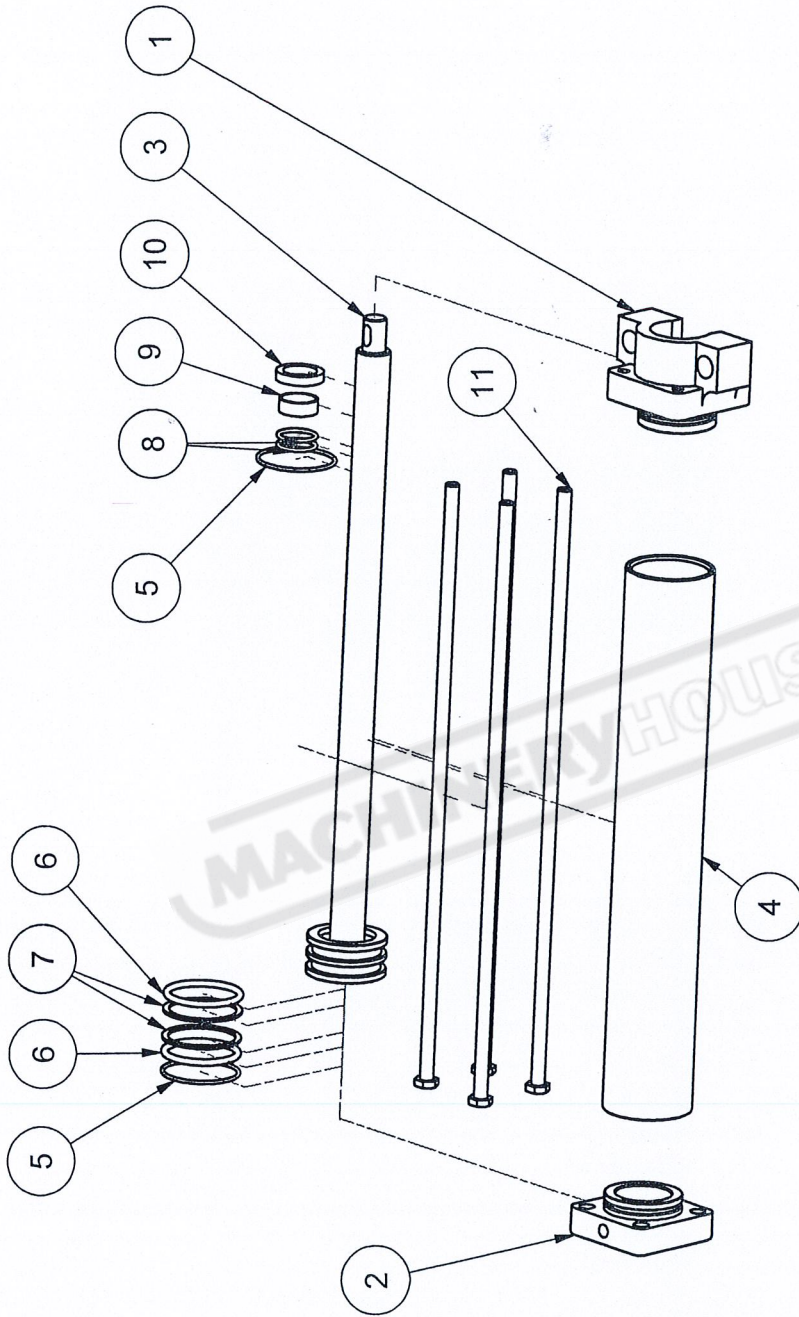
▽▽▽▽	0.2	▽	▽	~
▽▽▽	1.5	▽	▽	▽
▽▽	6.3	▽	▽	▽
▽	25	▽	▽	▽



NO	QTY	TYPE	DESCRIPTION	NO	QTY	TYPE	DESCRIPTION
1	2	5UJ-NJ12	COUPLING				
2	1	B02031500	FLANGE BASE				
3	1	B02031600	ADJUSTING BASE				
4	1	B02031700	SHAFT				
5	1	B02031800	CHAIN WHEEL SHAFT				
6	1	B02031900	MOTOR COUPLING				
7	1	B02032900	DRIVING CHAIN WHEEL				
8	1	B02033000	DRIVED CHAIN WHEEL				
9	1	B02013401	COVER				
10	1	H02310500	CHIPPING DISCHARGE CHASE				
11	1	H03231900	DISCHARGE SCREW				
12	1	H03232700	CLEAN SCREW				
13	1	3HM-OMM32	MOTOR				
14	2	2DUF1210-20	LUBRICATING BEARING				
15	2	2DUF1810-26	LUBRICATING BEARING				
16	1	6x6x20	CAP KEY				
17	1	5x5x15	CAP KEY				
18	1	M8	SPRING WASHER				
19	1	M8x55L	HEX BOLT				
20	2	M5x10	HEXAGON FIXING SCREW				
21	2	M6x10	HEXAGON FIXING SCREW				
22							
23							
24							
25							

A023001 CHIPPING CONVEYER UNIT

A0230002

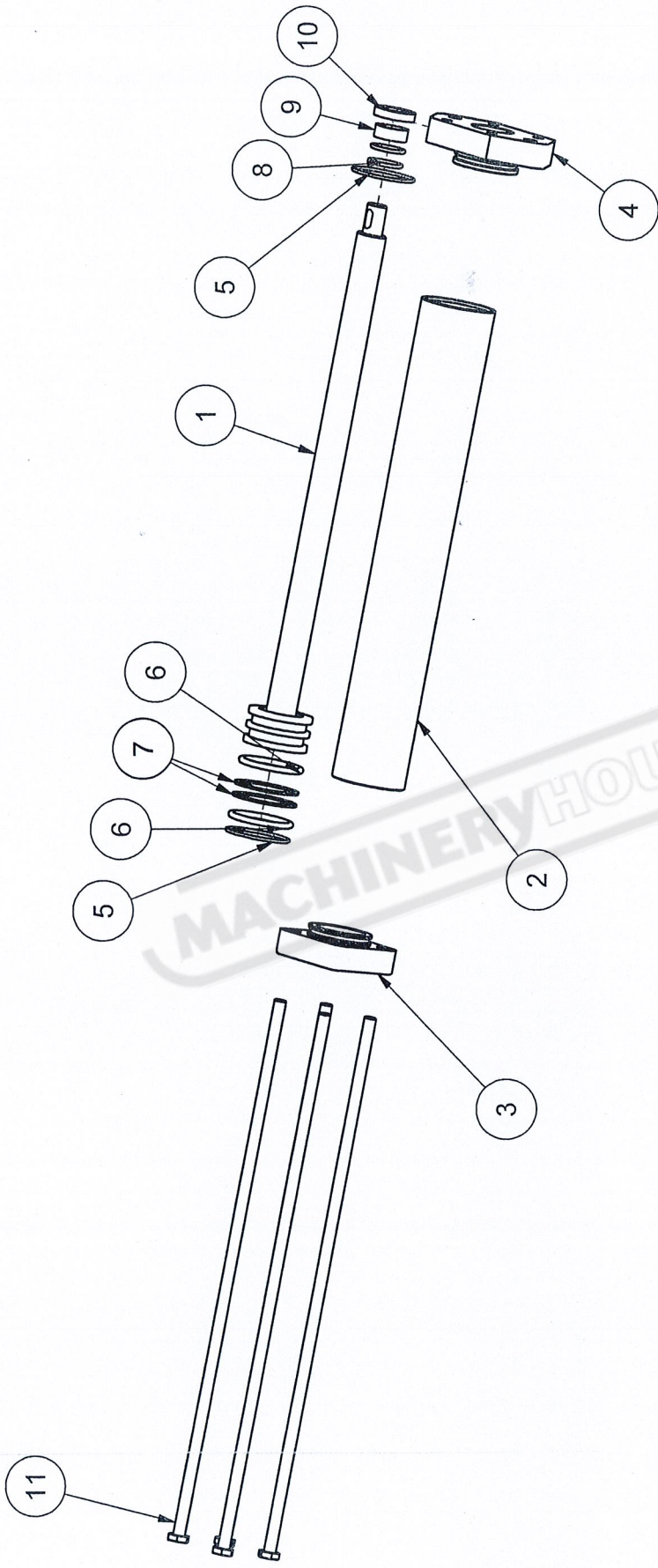


▽▽▽	▽▽	▽▽	▽	~
0.2/▽	1.6/▽	6.3/▽	25/▽	▽

NO	QTY	TYPE	DESCRIPTION	NO	QTY	TYPE	DESCRIPTION
1	1	H03262000	FRONT COVER				
2	1	B02162000	BACK COVER				
3	1	H02360401	PISTON BAR				
4	1	H02360600	CYLINDER				
5	2	G65	O RING				
6	2	P60	O RING				
7	2	P60	BACKING UP RING				
8	2	P30	O RING				
9	1	2DU3012	LUBRICATING BEARING				
10	1	D42-D30-B8	OIL SEAL				
11	4	H02360700	SCREW				
12							
13							
14							
15							
16							
17							
18							
19							
20							
21							
22							
23							
24							
25							

A023002 CYLINDER UNIT OF FEED

0.2	1.0	6.3	25		

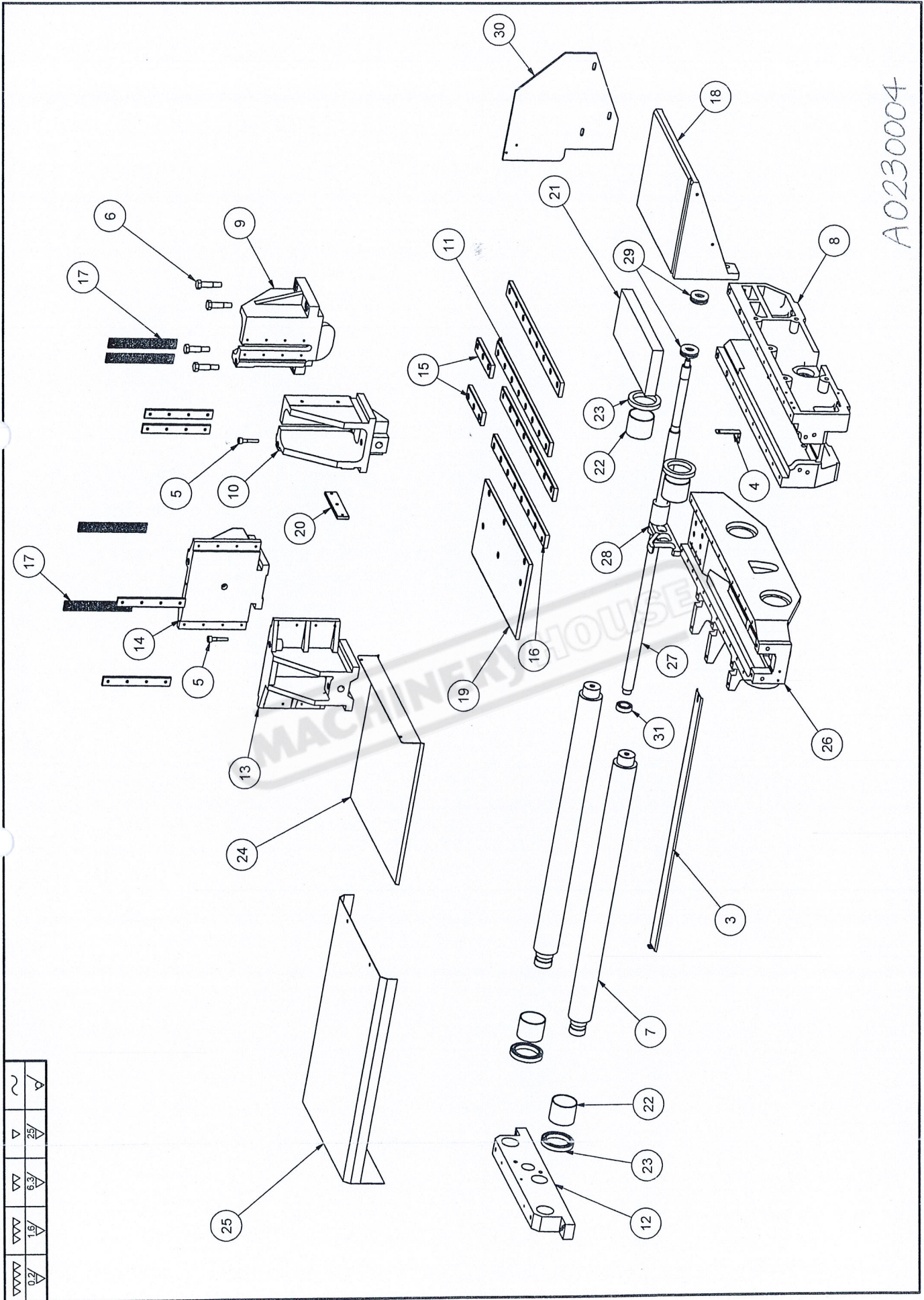


MACHINERYHOUSE

A0230003

NO	QTY	TYPE	DESCRIPTION	NO	QTY	TYPE	DESCRIPTION
1	1	H02360301	PISTON				
2	1	H02360500	CYLINDER				
3	1	H03261000	BACK COVER OF CYLINDER				
4	1	H03260900	FRONT COVER OF CYLINDER				
5	2	G60	O RING				
6	2	P55	O RING				
7	2	TP55	BACKING UP RING				
8	2	P30	O RING				
9	1	2DU3012	LUBRICATING BEARING				
10	1	D42-D30-B8	OIL SEAL				
11							
12							
13							
14							
15							
16							
17							
18							
19							
20							
21							
22							
23							
24							
25							

A023003 CYLINDER UNIT OF TABLE



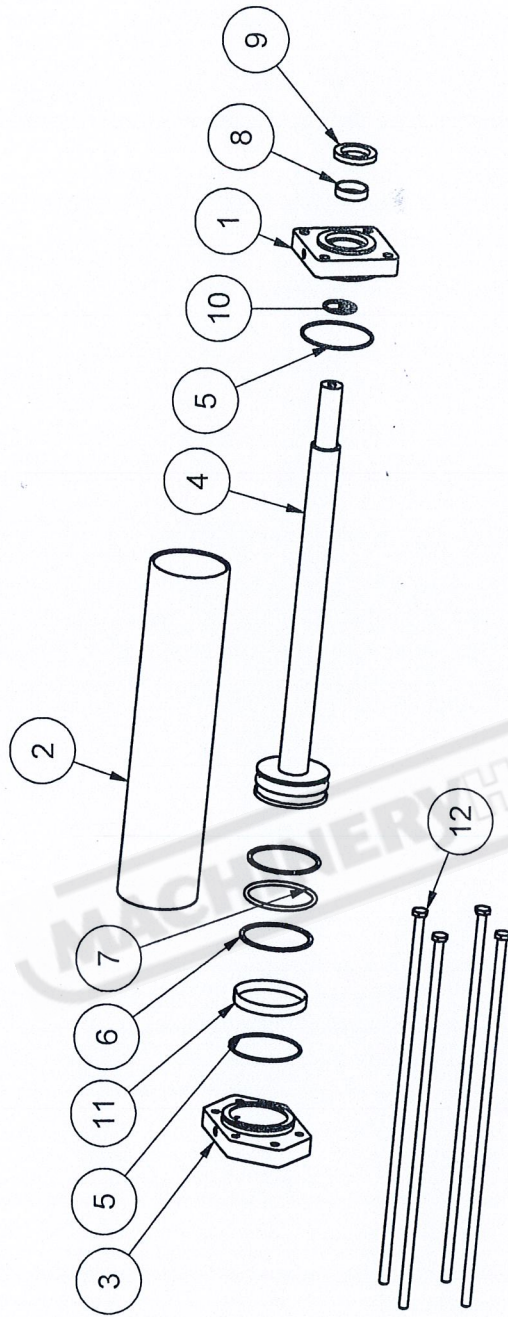
A0230004

▽▽▽	▽▽	▽	~
0.2/	1.6/	6.3/	25/
▽			▽

NO	QTY	TYPE	DESCRIPTION	NO	QTY	TYPE	DESCRIPTION
1	1	A0230002	CYLINDER UNIT OF FEED	26	1	H02331200	MOVABLE TABLE
2	1	A0230003	CYLINDER UNIT OF TABLE	27	1	H03230300	LEAD SCREW
3	1	B02110300	COVER FOR LEAD SCREW	28	1	H03231100	
4	1	B02113100	BRACKET	29	2	51305	BEARINGS
5	2	B02130200	SCREW OF FIXING PIN	30	1	H02311400	ANTI-FALLING PLATE
6	4	B02130700	LOCATING SCREW	31	1	6005ZZ	BEARINGS
7	2	B02131101	GUIDE COLUMN				
8	1	H02331100	FIXING TABLE				
9	1	H02330100	FIXING VISE				
10	1	H02330200	MOVABLE VISE				
11	2	H02331500	WEARING PLATE				
12	1	H03231200	BASE				
13	1	H02330300	FEEDING VISE				
14	1	H02330400	FLOATING VISE				
15	2	H03231500	SHORT WEARING PLATE				
16	2	H02331400	ANTI-FALLING PLATE				
17	8	H02330600	STEEL PLATE				
18	1	H03232000	MATERIAL HOLDING RACK				
19	1	H03232300	MATERIAL HOLDING PLATE				
20	1	H03232500	PLATE				
21	1	H03232600	SUPPORTING PLATE				
22	4	2DU7060	SELF LUBRICATING BEARING				
23	4	D95-d70-B13	OIL SEAL				
24	1	H03211600	COVER FOR				
25	1	H03211500	COVER FOR CYLINDER UNIT				

A023004 TABLE UNIT

A0230005

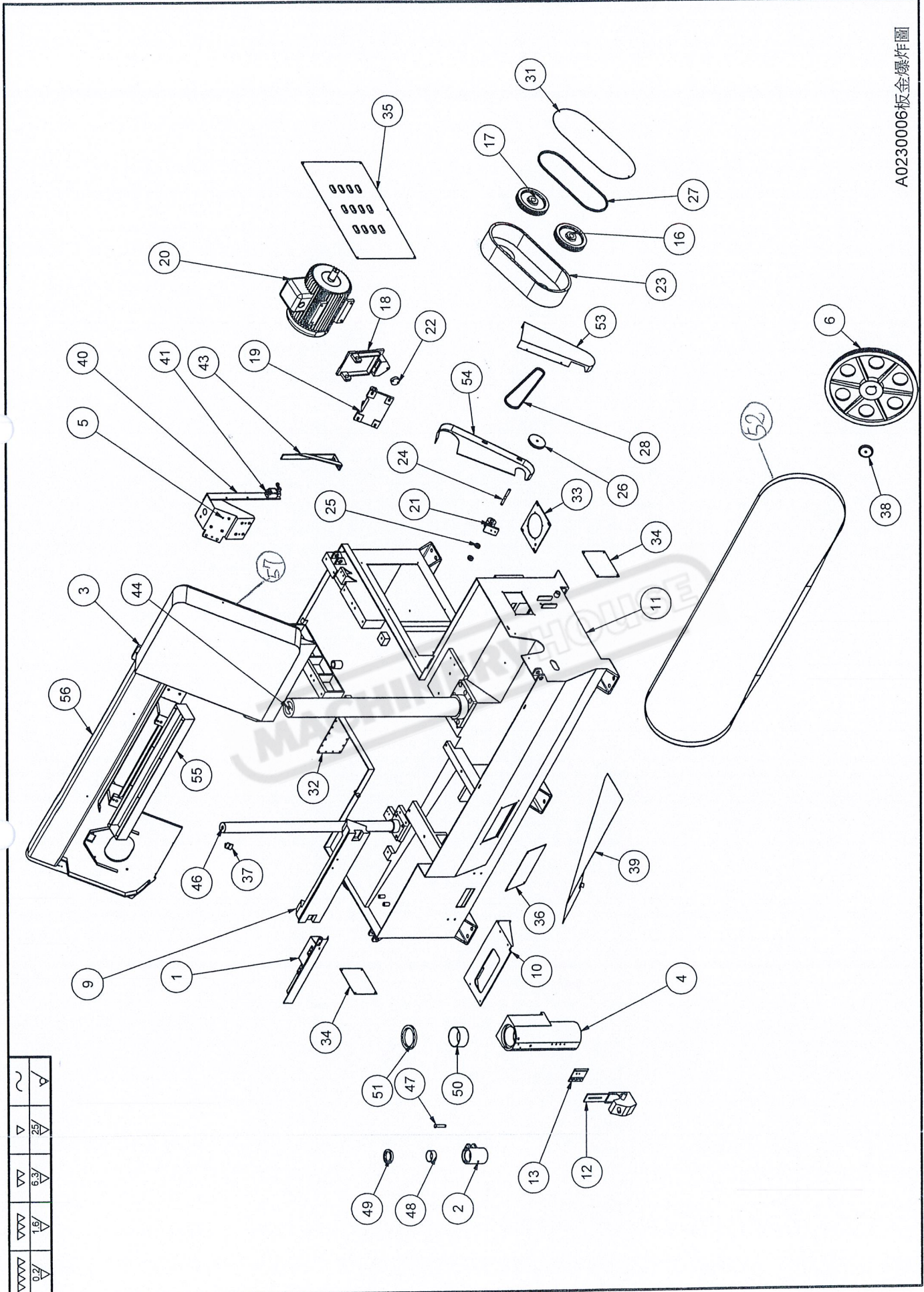


▽▽▽	▽▽▽	▽▽▽	▽▽	▽	~
0.2/▽	1.6/▽	6.3/▽	25/▽		▽

NO	QTY	TYPE	DESCRIPTION	NO	QTY	TYPE	DESCRIPTION
1	1	B02061301	UPPER COVER				
2	1	H02360100	CYLINDER				
3	1	B02061100	UNDER COVER				
4	1	H02360200	PISTON				
5	2	G95	O RING				
6	2	TP90	BACKING UP RING				
7	1	P90	O RING				
8	1	2DU4012	LUBRICATING BEARING				
9	1	4TC40-58-8	OIL SEAL				
10	2	P40	O RING				
11	1	MWR100	WEARING RING				
12	4	M12	SPRING WASHER				
13							
14							
15							
16							
17							
18							
19							
20							
21							
22							
23							
24							
25							

A023005 LIFTING CYLINDER UNIT

A0230006板金爆炸圖



▽▽▽	▽▽	▽	~	▽
0.2/	1.6/	6.3/	25/	▽

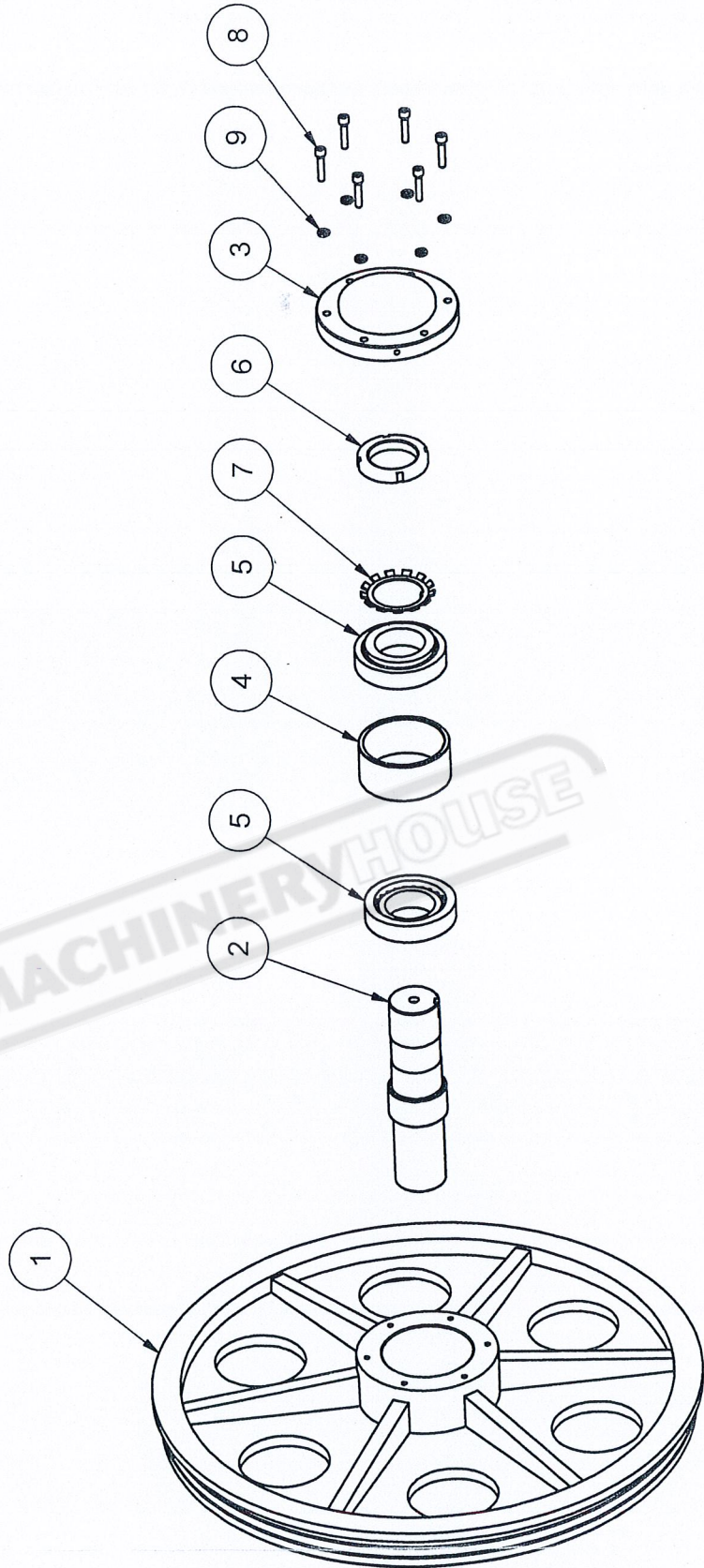
NO	QTY	TYPE	DESCRIPTION	NO	QTY	TYPE	DESCRIPTION
1	1	H03211400	COVER OF BLADE	26	1	H03221700	PULLY FOR WIRE BRUSH
2	1	H02240500	SECOND SLIDING TUBE	27	1	3V500	BELT
3	1	H02340800	ADJUSTING BASE	28	1	M42	BELT
4	1	H02230200	SLIDING TUBE	29	-	-	-
5	1	H02230100	JOINTING BASE	30	-	-	-
6	1	H02341300	DRIVING WHEEL	31	1	H03210900-1	PULLY COVER
7	-	-	-	32	1	H03212500	COVER PLATE
8	-	-	-	33	1	H03213400	COVER PLATE
9	1	H02340700	GUIDE WAY	34	2	B02011000	COVER PLATE
10	1	B02012600	BASE OF ELECTRICAL BOX	35	2	B02110400	COVER PLATE
11	1	H02310101	BASE	36	1	H03213500	COVER PLATE
12	1	H03211900	COVER FOR WIRE BRUSH	37	1	B02014900	BASE OF SWITCH
13	1	H03210700	FIXING BASE	38	1	B02043300	WASHER OF DRIVING WHEEL
14	1	-	-	39	1	H02310900	-
15	1	-	-	40	1	H02214600	-
16	1	H03220400	DRIVED PULLY	41	1	-	-
17	1	H03220300	DRIVING PULLY	42	1	-	-
18	1	H02320200	MOTOR STAND	43	1	H02311000	PLATE
19	1	H02320100	BASE	44	1	H02340100	MAIN CLUMN
20	1	7.5HP	MOTOR	45	-	-	-
21	1	H03221800	PULLY BASE	46	1	H02340200	ADJUSTING CLUMN
22	1	H02320300	ADJUSTING BASE	47	1	H02242400	PIN OF SECOND SLIDING TUBE
23	1	H02310600	PULLY COVER	48	2	2DU6030	LUBRICATING BEARING
24	1	B02022200	SHAFT OF PULLY	49	2	D82-d60-B12	OIL SEAL
25	2	6201	BEARING	50	2	2DU11060	LUBRICATING BEARING

A023006 METAL STRUCTURE.

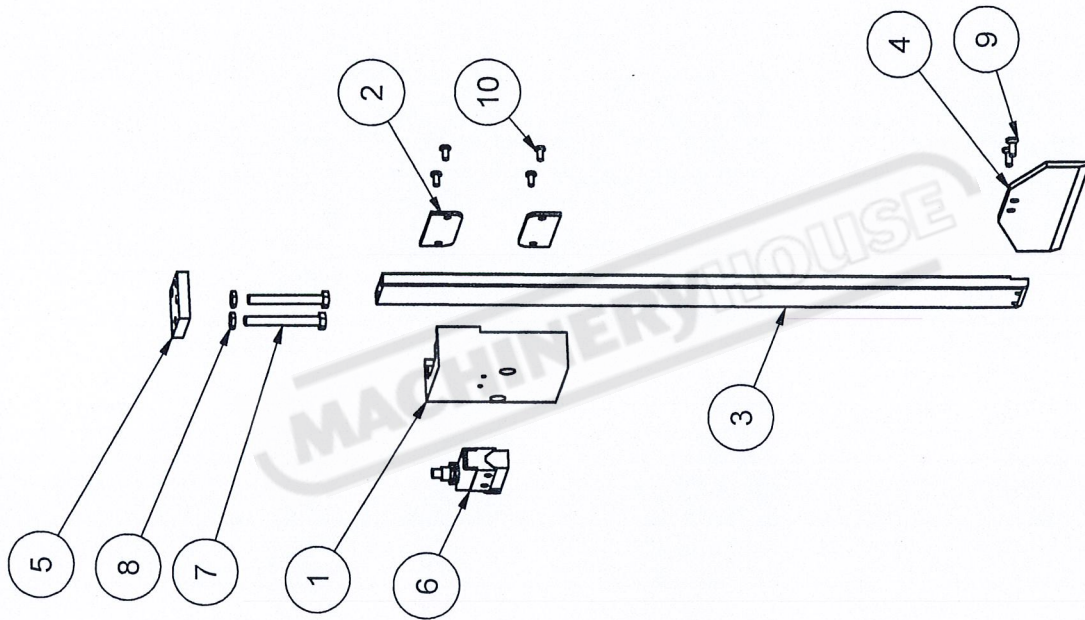
A02300/2

MACHINERYHOUSE

▽▽▽▽	▽▽	▽▽	▽	~
0.2/▽	1.6/▽	6.3/▽	25/▽	▽

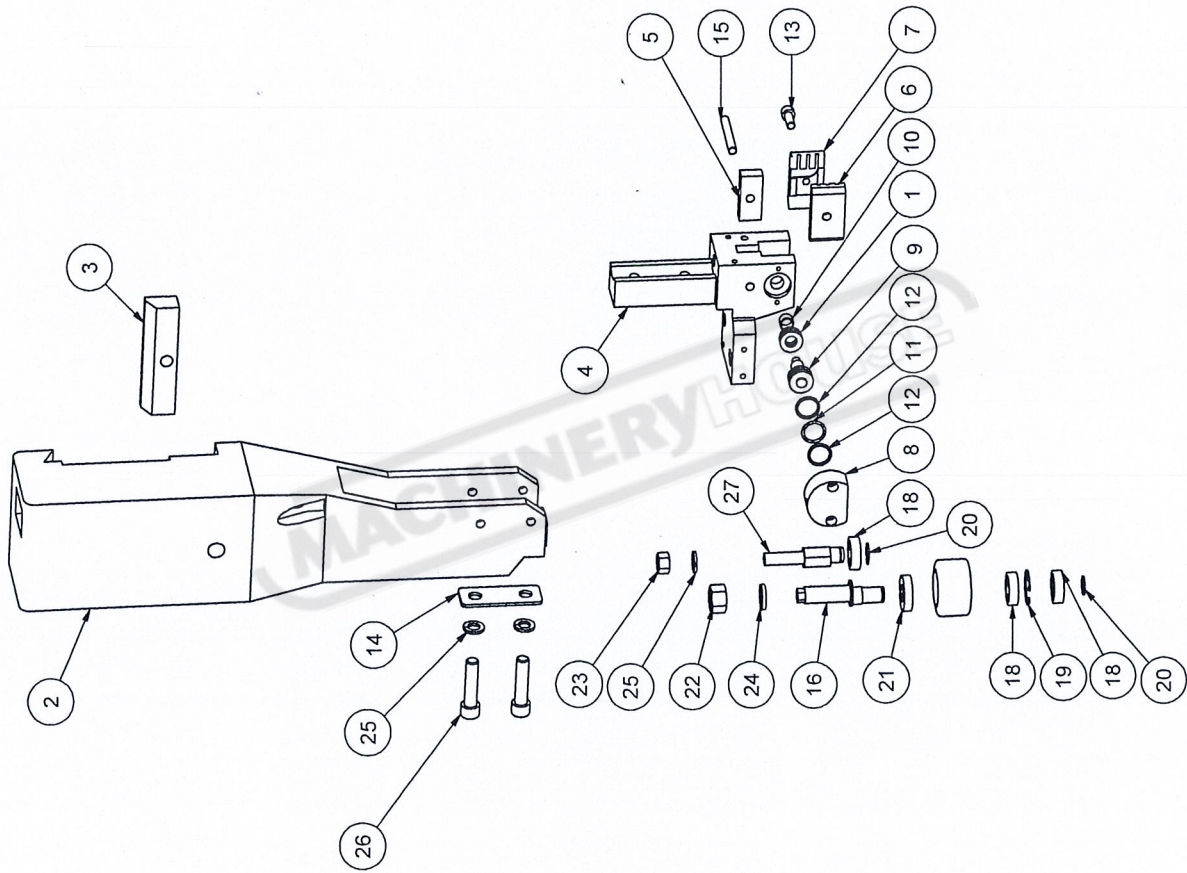


A0230016



▽▽▽	▽▽	▽	~
0.2/▽	1.6/▽	6.3/▽	25/▽

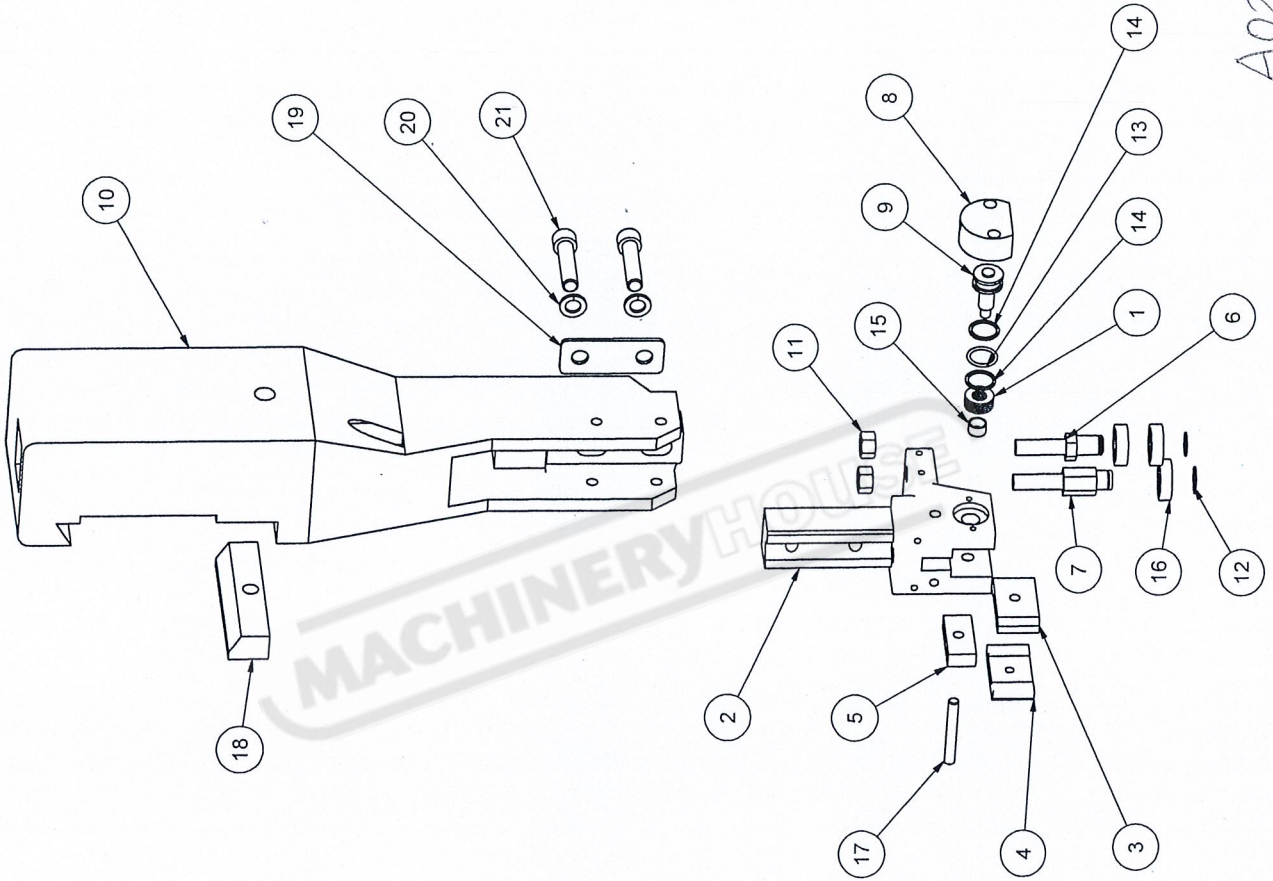
A0230017



▽▽▽	0.2	▽
▽▽▽	1.9	▽
▽▽	6.3	▽
▽	25	▽
~		▽

NO	QTY	TYPE	DESCRIPTION	NO	QTY	TYPE	DESCRIPTION
1	6	12.2x23x1t	DISC SPRING	26	2	M12x15	HEXAGON SOCKET HEAD CAP SCREW
2	1	H02340401	LEFT GUIDE ARM	27	1	B02044200	LONG ECCENTRIC SHAFT
3	1	H03240900	BLOCK	28	1	H03242300	DAMPER ROLLING
4	1	H03242800	LEFT GUIDE WHEEL BASE				
5	1	B02041100	UPPER CARBIDE FIXTURE				
6	1	B02041301	LEFT FRONT CARBIDE FIXTURE				
7	1	B02041401	LEFT BACK CARBIDE FIXTURE				
8	1	B02062600	CYLINDER				
9	1	B02062700	PISTON				
10	1	2DU1210	LUBRICATING BEARING				
11	1	P20	O RING				
12	2	TP20	BACK UP RING				
13	1	M8x20	HEXAGON SOCKET HEAD CAP SCREW				
14	1	H03216200	GASKET				
15	1	8x60L	PIN				
16	1	H03242200	SHAFT				
17	-	-	-				
18	3	6002	BEARING				
19	1	R32	C TYPE RNG				
20	2	R15	C TYPE RNG				
21	1	D35-d17-B8	OIL SEAL				
22	1	M16	SCREW NUT				
23	1	M12	SCREW NUT				
24	1	M12	SPRING WASHER				
25	3	M12	SPRING WASHER				

A0230017 HYDRAULIC LEFT GUIDE ARM

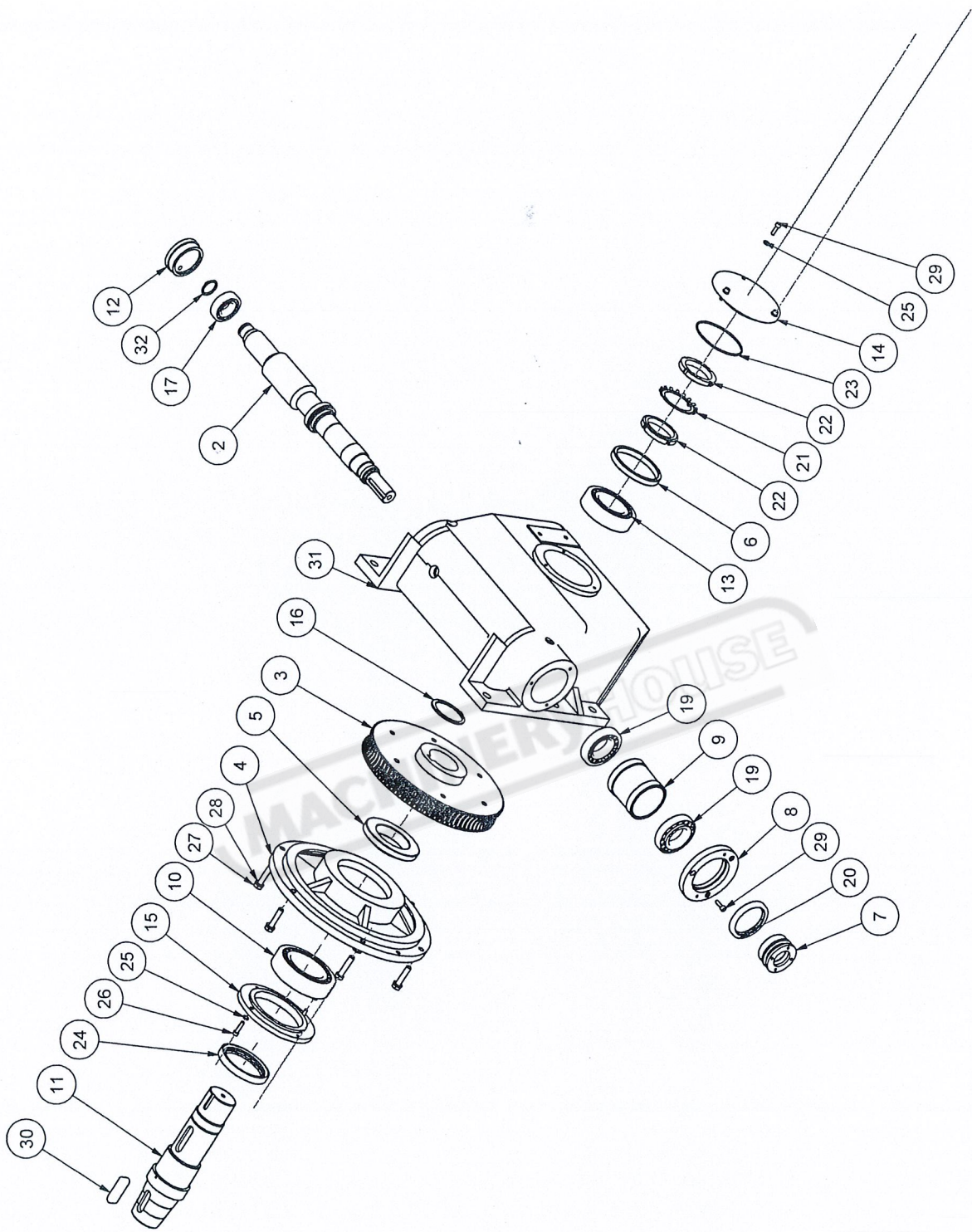


A0230018

▽▽▽▽	▽▽	▽▽	▽	~
0.2	1.6	6.3	25	▽

NO	QTY	TYPE	DESCRIPTION	NO	QTY	TYPE	DESCRIPTION
1	6	ϕ 12.2 x ϕ 23 x 1t	DISC SPRING				
2	1	B02043700	RIGHT GUIDE WHEEL BASE				
3	1	B02040901	RIGHT FRONT CARBIDE FIXTURE				
4	1	B02041001	RIGHT BACK CARBIDE FIXTURE				
5	1	B02041100	UPPER CARBIDE FIXTURE				
6	1	B02044100	SHORT ECCENTRIC SHAFT				
7	1	B02044200	LONG ECCENTRIC SHAFT				
8	1	B02062600	CYLINDER				
9	1	B02062700	PISTON				
10	1	H02340501	RIGHT GUIDE ARM				
11	2	M12	SCREW NUT				
12	2	S15	C TYPE RING				
13	1	P20	O RING				
14	2	TP20	BACK UP RING				
15	1	2DU1208	LUBRICATING BEARING				
16	3	6002	BEARING				
17	1	8x60L	PIN				
18	1	H03240900	BLOCK				
19	1	H03216200	GASKET				
20	2	M12	WASHER				
21	2	M12x50	HEXAGON SOCKET HEAD CAP SCREW				

A0230018 HYDRAULIC RIGHT GUIDE ARM



A020008

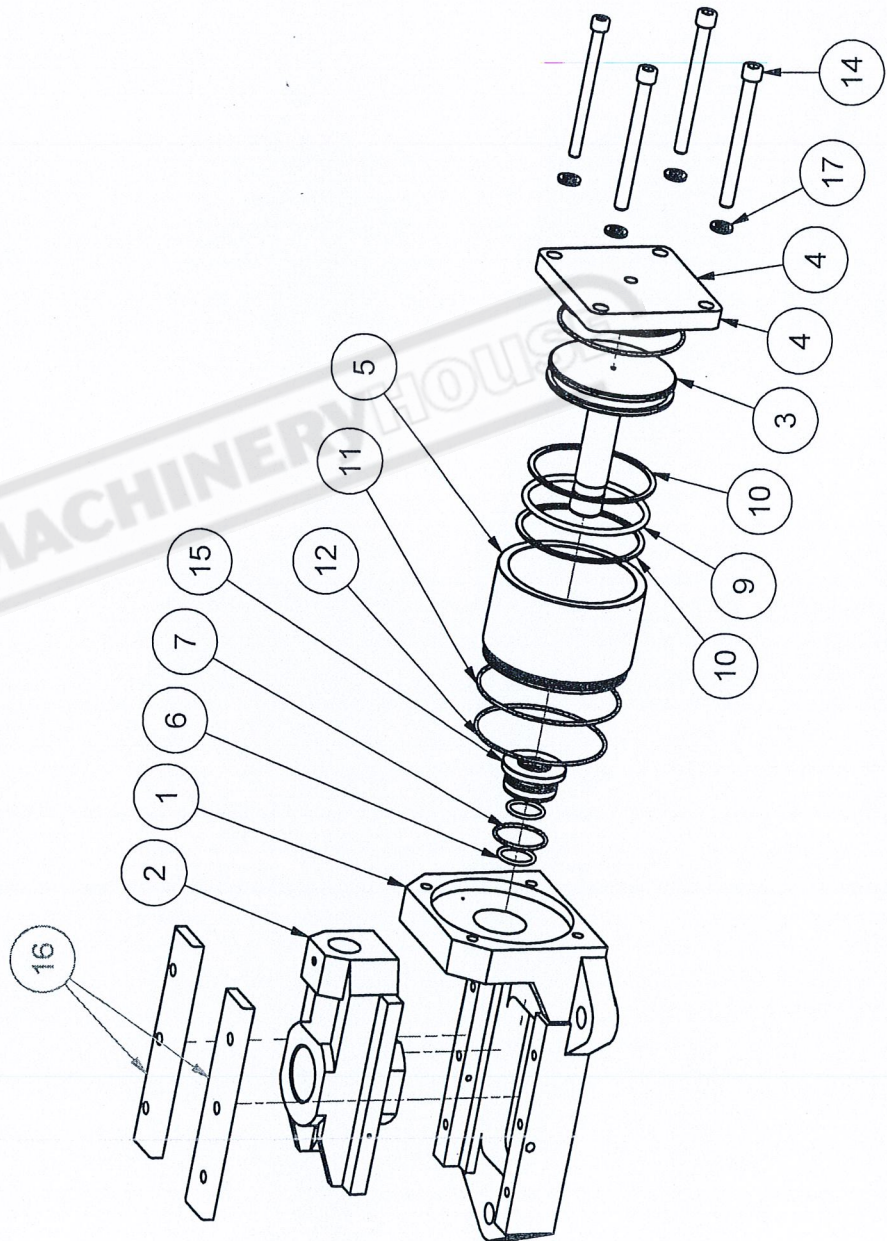
A020008齒輪箱組爆炸圖

▽▽▽	▽▽	▽▽	▽	~	▽
0.2/	1.6/	6.3/	25/		

NO	QTY	TYPE	DESCRIPTION	NO	QTY	TYPE	DESCRIPTION
1	1	B02022300	GEAR BOX	26	2	M6 x 25	HEX SOCKET CAP SCREW
2	1	B02020200	OUTPUT SHAFT	27	6	M10 x 45	HEX BOLT
3	1	B02020500	WORM GEAR	28	6	M6	SPRING WASHER
4	1	B02020600	UPPER COVER OF GEAR BOX	29	6	M6 x 20	HEX SOCKET CAP SCREW
5	1	B02020900	BEARING COVER OF WORM GEAR	30	1	16 x 10 x 60	DOUBLE ROUND KEY
6	1	B02021000	BEARING SLEEVE				
7	1	B02021300	NUT				
8	1	B02021200	BEARING COVER				
9	1	B02021400	BEARING SLEEVE				
10	1	22215	SPHERICAL ROLLER BEARING				
11	1	B02020100	SHAFT OF DRIVING PULLEY				
12	1	B02021100	BACK COVER OF WORM GEAR				
13	1	22212	SPHERICAL ROLLER BEARING				
14	1	B02020700	UNDER COVER OF GEAR BOX				
15	1	B02020800	UPPER COVER OF OIL SEAL				
16	1	§ 65 x 2.5t	C TYPE RETAINING RING				
17	1	6206	BALL BEARING				
18	1	§ 30 x 1.6t	C TYPE RETAINING RING				
19	2	30209J3	CYLINDRICAL ROLLER BEARING				
20	1	4TC65-85-10	OIL SEAL				
21	1	AW12	BEARING NUT GASKET				
22	2	AN12	BEARING NUT				
23	1	4OR-G100	O RING				
24	1	4TC85-110-13	OIL SEAL				
25	5	BMST6	SPRING GASKET				

A020008 GEAR BOX UNIT

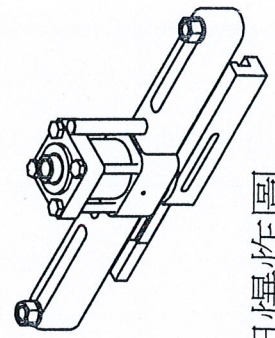
A032001張力組



▽▽▽	▽▽	▽▽	▽	~
0.2/▽	1.6/▽	6.3/▽	2.5/▽	▽

NO	QTY	TYPE	DESCRIPTION	NO	QTY	TYPE	DESCRIPTION
1	1	H03243600	SLIDE BASE				
2	1	H03243700	SLIDE BLOCK				
3	1	H03262600	PISTON				
4	1	H03262700	COVER				
5	1	H03262800	CYLINDER				
6	2	P30	O RING				
7	1	G45	O RING				
8	1	G115	O RING				
9	1	P110	O RING				
10	2	TP110	BACK UP RING				
11	1	G130	O RING				
12	1	G120	O RING				
13	1	M10x130	HEXAGON SOCKET HEAD SCREW				
14	3	M12x130	HEXAGON SOCKET HEAD SCREW				
15	1	B02060600	COPPER RING				
16	2	H03243800	PLATE				
17	4	M12	SPRING WASHER				
18							
19							
20							
21							
22							
23							
24							
25							

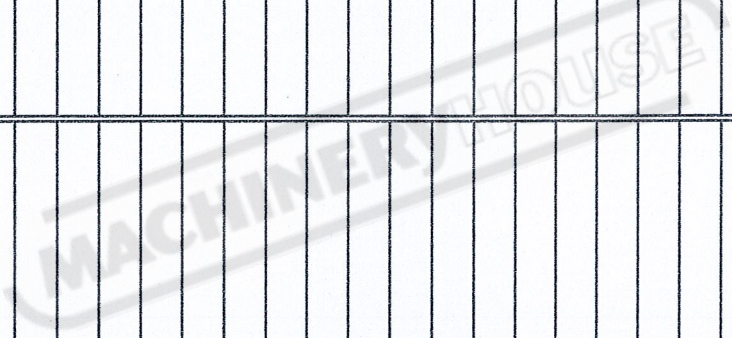
A032001 TENSION BASE UNIT



A032007下壓組爆炸圖

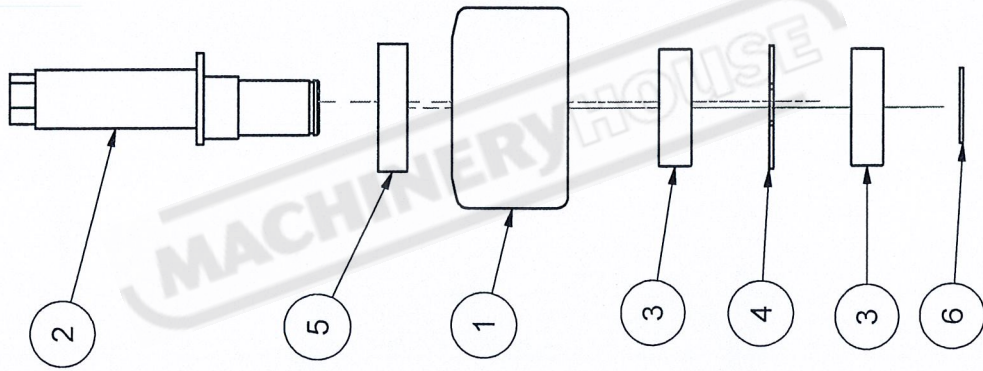
▽▽▽▽	0.2	▽▽▽	1.6	▽▽	6.3	▽	25	~	▽
------	-----	-----	-----	----	-----	---	----	---	---

NO	QTY	TYPE	DESCRIPTION	NO	QTY	TYPE	DESCRIPTION
1	1	B02161400	CYLINDER				
2	1	B02161500	BACK COVER				
3	1	H03241300	PRESSING BLOCK				
4	2	H03241400	FLEXIBLE BLOCK				
5	1	H03241700	GUIDING ROD				
6	2	H03241800	GUIDING SCREW				
7	1	H03241900	ADJUSTING DISK				
8	1	H03261500	PISTON BAR				
9	2	2DU3012	LUBRICATING BEARING				
10	2	P30	O RING				
11	1	P49	O RING				
12	1	TP49	BACKING UP RING				
13	1	G50	O RING				
14	1	DIAMETER 33	SPRING				
15	4	M10xP1.5x100L	HEX HEAD CAP SCREW				
16	1	H03241200	PRESSING BASE				
17	4	M16	GASKET				
18	2	M16	NUT				



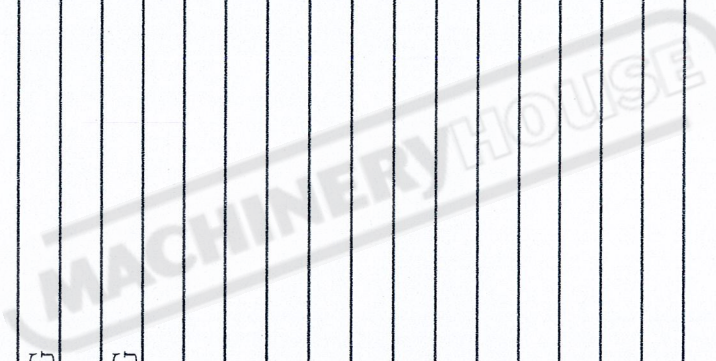
A032007 HYDRAULIC VERTICAL CLAMPING DEVICE

A032022



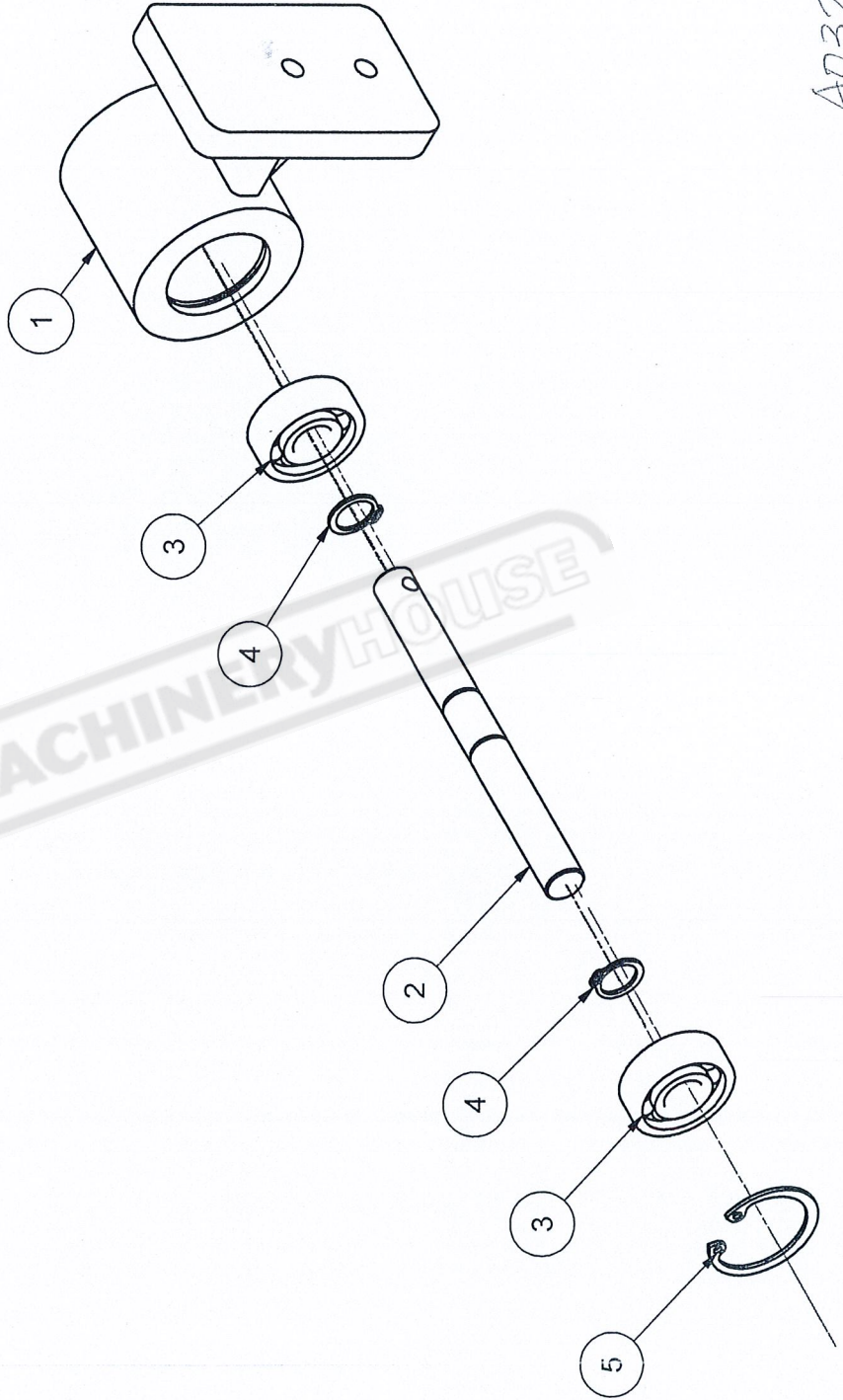
▽▽▽	▽▽	▽▽	▽	~
0.2/▽	1.6/▽	6.3/▽	25/▽	▽

NO	QTY	TYPE	DESCRIPTION	NO	Q'TY	TYPE	DESCRIPTION
1	1	H03242300	DAMPER ROLLING				
2	1	H03242200	SHAFT				
3	2	6002	BEARING				
4	1	R32	C TYPE RING				
5	1	D35-d17-B8	OIL SEAL				
6	1	S15	C TYPE RING				
7							
8							
9							
10							
11							
12							
13							
14							
15							
16							
17							
18							
19							
20							
21							
22							
23							
24							
25							



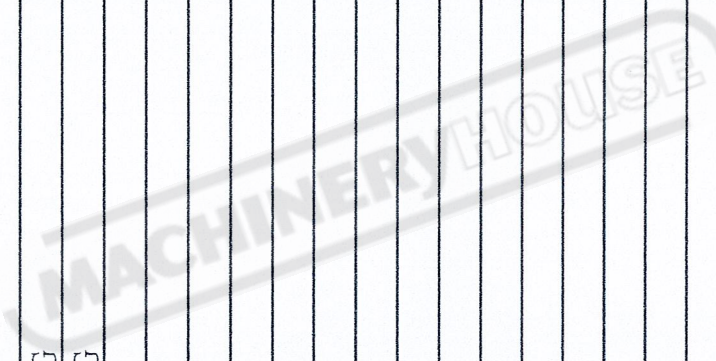
A032022 ANTI VIBRATION ROLLING UNIT

A032028



▽▽▽▽	▽▽	▽▽	▽	~
0.2/▽	1.6/▽	6.3/▽	25/▽	▽

NO	QTY	TYPE	DESCRIPTION	NO	QTY	TYPE	DESCRIPTION
1	1	H03221800	BASE				
2	1	B02022200	SHAFT				
3	2	6201	BEARING				
4	2	12	C TYPE RING				
5	1	32	C TYPE RING				
6							
7							
8							
9							
10							
11							
12							
13							
14							
15							
16							
17							
18							
19							
20							
21							
22							
23							
24							
25							



A032028 BASE UNIT FOR WIRE BRUSH WHEEL